

# MINI EXCAVATORS

# DOOSAN®



	Operating Weight	Bucket Capacity Heaped, ISO/SAE	Rated Power Gross		Operating Weight	Bucket Capacity Heaped, ISO/SAE	Rated Power Gross
<b>DX35-5</b>	8193 lb. (3716 kg)	3.44 ft³ (0.097 m³)	33.5 hp (25 kw)	<b>DX62R-3</b>	13,779 lb. (6250 kg)	6.18 ft³ (0.175 m³)	59 hp (44 kw)
<b>DX42-5</b>	9555 lb. (4334 kg)	5.14 ft³ (0.146 m³)	42.6 hp (31.8 kw)	<b>DX63-3</b>	13,779 lb. (6250 kg)	6.18 ft³ (0.175 m³)	59 hp (44 kw)
<b>DX50-5</b>	10,986 lb. (4983 kg)	5.30 ft³ (0.150 m³)	49.7 hp (37 kw)	<b>DX85R-3</b>	18,960 lb. (8900 kg)	9.89 ft³ (0.280 m³)	59 hp (44 kw)

# WHY CHOOSE DOOSAN EQUIPMENT?

Doosan® products are known for reliably exceeding customers' most demanding expectations and are designed to perform in the most difficult working conditions. It's why we're one of the fastest-growing equipment brands in North America.

**WHEN YOU CHOOSE DOOSAN EQUIPMENT,** you'll have the backing of a strong, global organization – with benefits that extend far beyond the capabilities of a new machine.

Throughout its years in the equipment industry, Doosan has listened to its North American customers, making many improvements – and developing new machines – as a result of feedback from owners and operators. Since 2005, Doosan has grown from its position as the seventh-largest construction equipment manufacturer in the world to the fifth largest.

## YOUR NORTH AMERICAN PARTNERS

Throughout our decades of selling equipment in North America, we've been building a network of dealers designed to surpass customer service standards. From coast to coast, there's a solid infrastructure to support you and your equipment; including parts distribution centers in Seattle and

Atlanta, service training and product management in Georgia, sales training at The ROC customer experience facility in Arizona and attachment design and development in Minnesota.

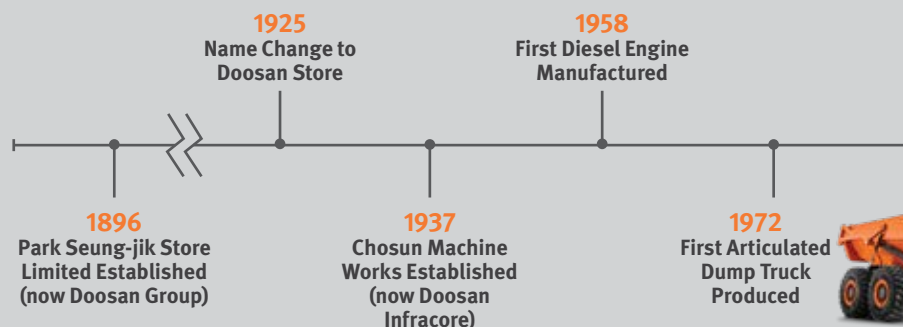
## OUTSTANDING WARRANTY

Customers choose the months and hours of coverage in their transferable warranty. Options include a standard warranty of 12 months or up to 1,500 hours (depending on the machine), or up to the five-year, 7,500-hour Protection Plus® coverage for the powertrain only, the powertrain plus hydraulics or the full machine.



## HISTORY

Founded in 1896, Doosan is a strong, stable and global company with a long legacy in infrastructure support. Its history in equipment manufacturing began in 1937 as Chosun Machine Works (now Doosan Infracore), Korea's first large-scale machinery factory, with the first facility built in Incheon, South Korea. Today, at an expanded Incheon campus as well as a facility in Gunson, South Korea, Doosan produces excavators, wheel loaders, log loaders and material handlers. Articulated dump trucks are built at the Doosan manufacturing facility near Elnesvågen, Norway.





**1978**  
First Crawler  
Excavator  
Produced



**1995**  
First Wheel  
Excavator  
Produced



**2015**  
First Material  
Handler  
Produced



**2019**  
Mini Excavator  
Expansion



**1990**  
First Wheel  
Loader  
Produced



**1999**  
First Log  
Loader  
Produced



# DOOSAN MINI EXCAVATORS TAKE ON MAJOR CHALLENGES.

Doosan mini excavators deliver big performance in a lightweight, powerful package that fits where bigger machines can't.

Featuring an optimal balance between engine horsepower and hydraulic force, these hard-working machines bring predictability, precision, speed and more to the most challenging tasks in the most confined jobsites. Get the productivity and performance you demand, the versatility your jobs require, the durability you rely on and the comfort your operators expect.

## Standard Arm or Long Arm

- The standard arm gives you maximum breakout force and lifting ability.
- If you need more reach and dig depth to avoid machine repositioning or to make loading trucks faster and easier, equip your machine with the optional long arm (available on select models).

## Impressive Lift-Over-Side Capacity

The track system design delivers added stability and an integrated counterweight, allowing operators to dig with confidence.

## Built-In Comfort

The excavator's sturdy body panels and tight latches reduce vibration in the cab. A smooth, stable ride, along with a wide seat and ample floor space, improves operator comfort and productivity.

## Excellent Visibility

Doosan® mini excavators offer expansive glass surface area and top window, to provide optimal visibility to the work.

## Visibility Advantages

In an excavator, the operator sits to the side of the boom for a clear view of the bucket or attachment. Get used to leaning around the boom to see properly on a TLB.

## Track Advantages

A tracked undercarriage gives you superior flotation and traction on sensitive or soft surfaces that would stop a TLB. Less ground disturbance also cuts down on time-eating, profit-reducing repairs to driveways or finished landscaping.

## Cost Advantages

Mini excavators offer better fuel economy and lower costs overall, and still provide the performance you demand for the job. Doosan excavators achieve more with smaller displacement engines, boosting productivity while using less fuel over the course of an entire day's work.

## Better Than a Tractor Loader Backhoe (TLB)

Mini excavators often outwork larger TLBs that appear more powerful on paper. Where a TLB has a limited swing of 180 degrees, the house of your mini excavator swings 360 degrees, continuously rotating for faster and more flexible spoil placement, better visibility and less repositioning on tight-fitting jobs.

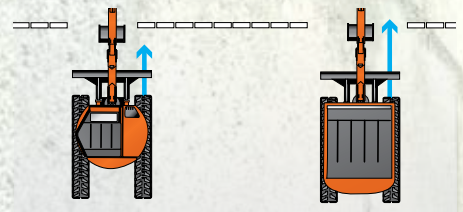
## Swinging Against Obstacles

A tractor loader backhoe is often limited to just 45 degrees of work group movement when you're up against an obstacle. With 180 degrees of movement, the excavator provides more freedom for placing spoil or loading trucks.

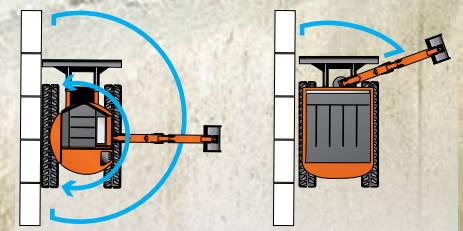
An independent boom swing enables offset digging – for square holes or digging around buried utilities – without repositioning. That's virtually impossible in a TLB.

## Zero Tail Swing or Conventional Tail Swing

- A Zero Tail Swing (ZTS) or minimal tail swing excavator is generally wider than a conventional swing excavator. Consider conventional if you need to gain access through a gate.



- A ZTS or minimal tail swing excavator provides more unrestricted rotation and greater flexibility if you work close to objects or against walls.





**With a closed center valve, piston pump, load-sensing hydraulics and cushioned cylinders, Doosan mini excavators are packed with high-end hydraulic components that deliver the performance you need for difficult work. What do you need? Predictability? Speed? Precise control? Doosan delivers it all, providing the optimal balance between engine horsepower and hydraulic force to get the job done efficiently.**

## Powerful Performance

Efficient torque-limiting piston pumps respond to load demands, delivering arm and bucket forces that meet the challenge of your most difficult jobs.

## Smooth, Predictable Work Group

Doosan control valves provide smooth, predictable work group control, giving you precise movement that comes in handy during work in close quarters.

Don't sacrifice speed to get smoother operation. Doosan excavators deliver both. A unique control valve system and cushioned cylinders provide ample, consistent oil flow for the job for fast cycle times and a smooth, agile response to your commands.

## Fingertip Control

A simple thumb switch on the right joystick controls auxiliary hydraulic functions making fine adjustments effortless and giving you improved efficiency and greater comfort throughout the day's work. A thumb switch on the left joystick – not foot pedals – controls your boom swing. Not only is this style of control more comfortable to use, but it also brings better metering and improved multifunctioning to the job.



## In-Track Swing Frame

The Doosan in-track swing frame design gives you the opportunity to get closer to your work when you're offset digging. Bring the excavator flush against a structure or obstacle. The swing castings and cylinders are positioned within track width, making it impossible to damage these components in tight areas while protecting structures and obstacles from damage as well.





**With quick cycle times, efficient designs and plenty of power, a Doosan excavator helps you fit more work into fewer hours.**

## Auto Idle

To reduce noise, improve jobsite communications and save fuel, this standard feature idles your engine automatically when machine functions are not used for a few seconds. When you move the controls, the excavator automatically returns to your previous throttle setting.

## Faster Cycle Times

When you're digging, dumping spoil into trucks or placing boulders, the difference is clear. Doosan® mini excavators get the job done faster. With cylinders sized precisely to match pump capacities, Doosan excavators always achieve best-in-class cycle times.

## Strong Work Group

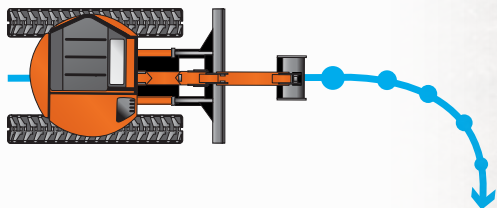
The Doosan work group is built tough to ensure a long, productive life for your machine and require less routine maintenance. It's also designed with room for the addition of secondary auxiliary hydraulics. If you need them, you can install a second auxiliary hydraulics option with less effort and lower cost. *(Models DX35-5, DX42-5, DX50-5)*

## Tier 4 (T4) Compliance

Optimized to provide the ultimate in power delivery and fuel economy, Doosan mini excavators feature T4-compliant engines to reduce air pollution.

## Auto Downshift

When turning, pushing and maneuvering, auto downshift reduces the hydraulic flow – so the machine doesn't bog down during travel. When the load decreases, the excavator automatically shifts back into high range.







### Backfill Blade

The versatile backfill blade levels, backfills, grades or pushes material with ease. Controls include a convenient blade float feature.



### Angle Blade Option

An angle blade is important for fast backfilling and grading, allowing you to angle your backfill blade 25 degrees left or right. You can direct spoil from one side of the blade to the other without forming windrows on both sides of the blade. (Models DX35-5, DX42-5, DX50-5)

## DURABILITY/RELIABILITY

Your reputation depends on a reliable, durable machine, and Doosan® excavators are designed to be ready when you are. They're protected with solid construction and smart design you can see. They're loaded with heavy-duty features that keep you running longer in the field — so you spend less time in the shop and more time making money.

### Integrated Slew Brakes

This feature gives you infinite brake positioning for easier trailer loading and positioning.

### On-Board Diagnostics

Efficiently troubleshoot problems in the field and prevent downtime before it occurs.

### Automatic Glow Plugs

Automatic glow plugs warm the fuel mixture for faster starting in cold weather. They also ease wear and tear on your engine and starter.



### Easy Machine Tie-Down

Stop searching for difficult-to-reach tie-downs. Secure your excavator fast and maximize your time getting on and off the worksite.





### **Tough Hoses and Smart Routing**

Doosan steel hydraulic lines stand up to difficult work better than rubber hoses. They're routed through the lower portion of the boom swing casting and securely through the top part of the boom structure —where they're best protected from wear, tear and damage on the job.

# COMFORT

A deluxe, adjustable seat with numerous perks and comfort features ensures that operators stay productive and push performance to the limit in Doosan® excavators. Easy to enter, exit and work in, Doosan cabins give you great visibility and remarkable standard features that bring superior comfort and better productivity.



Models DX63-3, DX85R-3

## Large Cab

Doosan gives you more comfort for long hours of operation. Adjustable arm rests move precisely where you're most comfortable. Lockable storage keeps your personal items secure and out of the way.

Models DX35-5, DX42-5, DX50-5





## Quiet Operator Environment

The quiet engine, along with its solid construction and use of innovative, noise-reducing materials, makes the job more enjoyable every day. Auto idle makes it even easier to be heard or to hear your co-workers by idling the engine automatically after four seconds.



## Flexible Controls

Select an ISO or BHL control pattern. To make grading, leveling and backfilling as easy as possible, the blade float feature puts consistent down-pressure on the blade to follow the contours of the ground without operator input.

## Standard Radio

Doosan cab-enclosed mini excavators are equipped with a radio and an audio input jack that's ready for your MP3 player or other device.

## Standard Deluxe Instrument Panel

Eco Mode Capabilities\*  
 Enhanced machine vitals  
 Nine programmable passwords  
 High-resolution graphic display  
 Attachment operating screens  
 Integrated keyless start  
 Diagnostic screens  
 (Models DX35-5, DX42-5, DX50-5)

*\*Eco Mode allows you to optimize fuel efficiency.*

## Automotive-Style Heat and Air Conditioning

Fight extreme weather and stay comfortable all year long with high-capacity heating and cooling vents and easy-to-control temperature. Automatic temperature control senses and adjusts to the temperature setting. A memory function returns it to your preferred temperature if you shut the machine off and restart later.  
 (Models DX63-3, DX85R-3)



## EASY MAINTENANCE

Even the best equipment needs regular maintenance. Doosan makes it easy to care for your excavator with onboard diagnostic systems and easy component access. If you want a machine that lasts, with minimal effort, Doosan delivers everything you need.

### Easy Component Access

Easy-to-find access panels open from the sides of the excavator.

### Battery Disconnect Switch

Convenient battery disconnect completely disables your battery connection, protecting the battery life during extended storage periods. It can also provide an added measure of security on the jobsite after working hours.



Models DX63-3, DX85R-3

*Run more and service less. See more Doosan ease-of-maintenance features at [DoosanEquipment.com](http://DoosanEquipment.com)*



### LCD Self-Diagnostics

An LCD monitor helps you track critical systems in real time and access historical machine alerts from within the cabin.



Models DX63-3, DX85R-3



Models DX35-5, DX42-5, DX50-5

### Centralized Boom Swing Cylinder Greasing

Daily maintenance is critical — and it's simple with the centralized grease banks.



### Color-Coded, Labeled Wiring

Wiring in the machine is labeled for easy service, fast troubleshooting and simple installation of electronic accessories — like the rotating beacon. (*Rotating beacon only available on DX63-3 and DX85R-3.*)

Doosan excavators are made to do more because they are optimized for attachment versatility. Attachments designed for your excavator's operating weight can be matched to your excavator and you can easily increase your utilization.



### Auxiliary Hydraulic Lines

Auxiliary hydraulics are configured with flush face couplers to make quick, easy hose connections when using hydraulic attachments.



### Thumb Ready

Durable clamp mounts are integrated into the arm. There's no welding required to add a clamp.



DX35-5 pictured

### Fingertip Controls

Auxiliary hydraulic controls are fingertip controlled to deliver precise positioning and easy operation. Variable flow and detent provide more functionality for using different attachments.



### Optional Quick Couplers

Quick couplers increase your machine's versatility and improve your productivity when your work includes switching attachments.



### Shorter Tail Swing

For confined spaces, especially in urban environments, a shorter tail swing profile can make it easier to maneuver without sacrificing performance.  
*(Models: DX35-5, DX42-5, DX63R-3, DX85R-3)*

### Attachment-Ready

*Doosan mini excavators provide immediate multi-attachment functionality without additional installations or modification. Take on different jobs and expand your investment by doing more with your machine.*





**DOOSAN**

**DX  
85R**

# CHALLENGING JOBS COME IN ALL SIZES.

Doosan offers an expanded lineup of excavators, including mini excavators, so you're always ready for the next challenge.

Mini excavators deliver fast cycle times and excellent hydraulic flow to make you more efficient. An in-track swing frame allows you to get closer to your work. Extended service intervals and on-board diagnostics help you maintain your machine. A larger cab and deluxe adjustable seat improve comfort for all day work.

## MINI EXCAVATORS



DX35-5



DX42-5



DX50-5

## CRAWLER EXCAVATORS



DX140LC-5



DX140LCR-5



DX170LC-5



DX180LC-5



DX300LC-5



DX350LC-5



DX420LC-5



**DX62R-3**



**DX63-3**



**DX85R-3**



**DX225LC-5**



**DX235LCR-5**



**DX255LC-5**



**DX490LC-5**



**DX530LC-5**

# Specifications

## General

### STANDARD ARM (US20)

	UNIT	DX35-5	DX42-5	DX50-5	DX62R-3	DX63-3	DX85R-3
<b>ENGINE</b>							
Model		D18 Turbo	D24 Turbo	D24 Turbo	4TNV98C	4TNV98C	4TNV98C
Number Of Cylinders		3	4	4	4	4	4
Rated Power Gross (Hp Per Sae J1995)	hp (kW) @ rpm	33.5 (25) @ 2400	42.6 (31.8) @ 2200	49.7 (37) @ 2200	59.4 (44.3) @ 2100	59.4 (44.3) @ 2100	59.4 (44.3) @ 2100
Rated Power Net (Hp Per Sae J1349)	hp (kW) @ rpm	31.2 (23.3) @ 2400	39.5 (29.5) @ 2200	45.7 (34.1) @ 2200	58.6 (43.7) @ 2100	58.6 (43.7) @ 2100	58.6 (43.7) @ 2100
Maximum Torque Gross (Sae J1995)	lbf.-ft (Nm) @ rpm	82 (111) @ 1600	112 (151.9) @ 1600	153.3 (209.8) @ 1600	178 (241) @ 1365	178 (241) @ 1365	178 (241) @ 1365
Piston Displacement	in <sup>3</sup> (L)	109.5 (1.8)	146 (2.4)	146 (2.4)	203 (3.3)	203 (3.3)	203 (3.3)
Bore And Stroke	in. x in. (mm x mm)	3.54 x 3.70 (90 x 94)	3.54 x 3.70 (90 x 94)	3.54 x 3.70 (90 x 94)	3.9" x 4.3" (98 x 110)	3.9" X 4.3" (98 X 110)	3.9" X 4.3" (98 X 110)
Starter	V, kW	12V, 2.0 kW	12V, 2.0 kW	12V, 2.0 kW	12 V, 3.0 kW	12V, 3.0 kW	12V, 3.0 kW
Batteries	V, amps	12V, 540 CCA	12V, 540 CCA	12V, 540 CCA	12 V, 900 CCA	12V, 900 CCA	12V, 900 CCA
Alternator	V, amps	12V, 90 amp	12V, 90 amp	12V, 90 amp	12 V, 80 amp	12V, 80 amp	12V, 80 amp
Air Cleaner		Double Element	Double Element	Double Element	Double Element	Double Element	Double Element
<b>Hydraulics</b>							
MAIN PUMPS	gpm (L/min.)	26.6 (100.9)	26.2 (99.1)	36.6 (138.5)	35 (132)	35 (132)	40 (151)
PILOT PUMP (Gear design)	gpm (L/min.)	2.5 (9.6)	N/A	N/A	N/A	N/A	6.1 (23.1)
RELIEF PRESSURE (NORMAL)	psi (kg/cm <sup>2</sup> )	3553 (250)	3625 (255)	3625 (255)	3627 (255)	3627 (255)	4267 (300)
<b>MAXIMUM SYSTEM PRESSURE</b>							
Boom/Arm/Bucket (Normal Mode)	psi (kg/cm <sup>2</sup> )	3916 (275)	4206 (296)	4206 (296)	3627 (255)	3627 (255)	4267 (300)
Swing (Normal Mode)	psi (kg/cm <sup>2</sup> )	3132 (220)	3045 (214)	3045 (214)	3627 (255)	3627 (255)	4267 (300)
<b>UNDERCARRIAGE</b>							
Upper Rollers (EACH TRACK)		1	1	1	1	1	1
Lower Rollers (EACH TRACK)		4	5	5	5	5	5
Number Of Shoes (Links Per Side)		Single Assembly (Rubber)	Single Assembly (Rubber)	Single Assembly (Rubber)	39	39	39
Total Length Of Track	ft.-in. (mm)	6' 7" (2074)	7' 6" (2276)	8' 3" (2523)	8' 2" (2500)	8' 2" (2500)	9' 3" (2825)
<b>ENVIRONMENT</b>							
Sound Level (2000/14/Ec)	dB(A)	N/A	96	96	98	98	98
Cabin Sound Level (Iso 6396)	dB(A)	N/A	80	81	74	74	71
<b>SWING MECHANISM</b>							
Swing Speed	rpm	8.6	9	9	9.4	9.4	9.5
Swing Torque	lbf.-ft. (Nm)	N/A	N/A	N/A	9526 (12,915)	9526 (12,915)	14,104 (19,123)
<b>DRIVE SYSTEM</b>							
Travel Speed [Low – High]	mph (km/h)	1.6 – 2.9 (2.6 – 4.7)	1.6 – 2.9 (2.6 – 4.7)	1.9 – 3.1 (3.1 – 5)	1.7 - 2.7 (2.7 - 4.4)	1.7 – 2.7 (2.7 – 4.4)	1.7 – 2.9 (2.7 – 4.7)
Traction Force, Max (Drawbar Pull)	lb. (kg)	7658 (3473)	8026 (3640)	11767 (5337)	12,346 (5600)	12,346 (5600)	14,551 (6600)
Maximum Grade	% (°)	30°	30°	30°	30°	30°	30°
<b>REFILL CAPACITIES</b>							
Fuel Tank	gal. (L)	13.7 (52)	21.1 (79.9)	21.1 (79.9)	20.6 (78)	20.6 (78)	29.1 (110)
Cooling System (Radiator Capacity)	gal. (L)	1.8 (6.8)	2 (7.6)	2 (7.6)	2.6 (10)	2.6 (10)	2.6 (10)
Engine Oil	gal. (L)	1.68 (6.3)	2.28 (8.6)	2.28 (8.6)	2.7 (10.2)	2.7 (10.2)	2.7 (10.2)
Final Drive (Each Side)	gal. (L)	.14 (.5)	.29 (1.1)	.26 (1)	0.4 (1.4)	0.4 (1.4)	0.3 (1.2)
Hydraulic System	gal. (L)	10.5 (39.7)	14.5 (54.9)	14.5 (54.9)	29.3 (111)	29.3 (111)	39.1 (148)
Hydraulic Tank	gal. (L)	2.2 (8.3)	4 (15.1)	4 (15.1)	17.2 (65)	17.2 (65)	23 (87)

**NOTE:** Where applicable, dimensions are in accordance with Society of Automotive Engineers (SAE) and ISO standards. Specifications and design are subject to change without notice. Pictures of Doosan® excavators may show other than standard equipment. All dimensions are shown in inches. Respective metric dimensions are enclosed by parentheses. Doosan equipment is manufactured with a Quality Management System that is in compliance with ISO 9001:2008. All dimensions are given for Doosan excavators equipped with standard tracks and the standard front as listed. Rounding may result in specifications having the same imperial value, but different metric values.

# Hydraulic Cylinders

	UNIT	DX35-5	DX42-5	DX50-5	DX62R-3	DX63-3	DX85R-3
<b>BOOM (1)</b>							
Bore X Rod Diameter X Stroke (Std)	In. X In. X In. (Mm X Mm X Mm)	3" X 1.75" X 26.38" (76 X 45 X 670)	3.75" X 2" X 27.45" (95 X 51 X 697)	4" X 2.25" X 27.45 (102 X 57 X 697)	"4.1" x 2.4" x 28.8" (105 x 60 x 731)"	4.1" X 2.4" X 28.8" (105 X 60 X 731)	4.5" X 2.8" X 30.5" (115 X 70 X 775)
<b>ARM (1)</b>							
Bore X Rod Diameter X Stroke (Std)	In. X In. X In. (Mm X Mm X Mm)	3" X 1.75" X 23.90" (76 X 45 X 607)	3.25" X 2" X 25.35" (83 X 51 X 644)	3.5" X 2.25" X 29.82" (89 X 57 X 757)	"3.3" x 2.2" x 33.7" (85 x 55 x 856)"	3.3" X 2.2" X 33.7" (85 X 55 X 856)	3.9" X 2.6" X 34.1" (100 X 65 X 866)
<b>BUCKET (1)</b>							
Bore X Rod Diameter X Stroke (Std)	In. X In. X In. (Mm X Mm X Mm)	2.75" X 1.75" X 18.36" (70 X 45 X 466)	3" X 1.75" X 20.63" (76 X 45 X 524)	3.25" X 2" X 20.63" (83 X 51 X 524)	"3.1" x 2.0" x 23.6" (80 x 50 x 600)"	3.1" X 2.0" X 23.6" (80 X 50 X 600)"	3.5" X 2.4" X 27.2" (90 X 60 X 690)
<b>SWING - BOOM (1)</b>							
Bore X Rod Diameter X Stroke (Std)	In. X In. X In. (Mm X Mm X Mm)	3.25" X 1.75" X 18.11" (83 X 45 X 460)	3.5" X 1.75" X 19.32" (89 X 45 X 491)	3.75" X 2" X 19.32" (95 X 51 X 491)	"4.33" x 2.17" x 21.65" (110 x 55 x 550)"	4.33" X 2.17" X 21.65" (110 X 55 X 550)	4.33" X 2.36" X 29" (110 X 60 X 738)
<b>BLADE (2)</b>							
Bore X Rod Diameter X Stroke (Std)	In. X In. X In. (Mm X Mm X Mm)	3.5" X 1.75" X 7.25" (89 X 45 X 184)	3.5" X 1.75" 8.07" (89 X 45 X 205)	4" X 2" X 7.68" (102 X 51 X 195)	"4.33" x 2.36" x 7.2" (110 x 60 x 183)"	4.33" X 2.36" X 7.2" (110 X 60 X 183)	3.94" X 2.36" X 5.87" (100 X 60 X 149)

The piston rods and cylinder bodies are made of high-strength steel. A shock absorbing mechanism is fitted in all cylinders to ensure shock-free operation and extend piston life.

## Buckets

### DX35-5

BUCKET TYPE	MODEL	CAPACITY 1 ft <sup>3</sup> (m <sup>3</sup> )	WIDTH in. (mm)	WEIGHT lb. (kg)	Standard Arm (US20) (US30)		Long Arm (US21) (US31)	
HEAVY-DUTY <sup>2,3</sup>	HD3QB-024-283	3.92 (0.111)	24 (610)	215 (98)	A	A	A	A

### DX42-5

BUCKET TYPE	MODEL	CAPACITY 1 ft <sup>3</sup> (m <sup>3</sup> )	WIDTH in. (mm)	WEIGHT lb. (kg)	Standard Arm (US20) (US30)		Long Arm (US21) (US31)	
HEAVY-DUTY <sup>2,3</sup>	HD4QB-024-284	4.86 (0.138)	24 (610)	260 (118)	A	A	A	A

### DX50-5

BUCKET TYPE	MODEL	CAPACITY 1 ft <sup>3</sup> (m <sup>3</sup> )	WIDTH in. (mm)	WEIGHT lb. (kg)	Standard Arm (US20) (US30)		Long Arm (US21) (US31)	
HEAVY-DUTY <sup>2,3</sup>	HD4QB-024-284	4.86 (0.138)	24 (610)	260 (118)	A	A	A	A

# Specifications

## Buckets

**DX62R-3**

					BOOM	9' 6" (2900 MM)	
					ARM	6' 3" (1900 MM)	
					TRACK TYPE	FIXED (RUBBER)	
					SHOE SIZE	15.7" (400 MM)	
					MOUNT	Pin-On	Quick Coupler
BUCKET TYPE	MODEL	CAPACITY 1 ft <sup>3</sup> (m <sup>3</sup> )	WIDTH in. (mm)	WEIGHT lb. (kg)			
Heavy-Duty <sup>2,3</sup>	HD06-012	1.84 (0.052)	12 (305)	316 (143)	A	A	
	HD06-018	3.19 (0.090)	18 (457)	358 (162)	A	A	
	HD06-024	4.60 (0.130)	24 (610)	429 (195)	A	A	
	HD06-030	6.03 (0.171)	30 (762)	478 (217)	A	A	
	HD06-036	7.46 (0.211)	36 (914)	529 (240)	A	A	
Ditching <sup>4</sup>	DC060-036	7.46 (0.211)	36 (914)	310 (141)	B	C	
	DC060-048	10.32 (0.292)	48 (1219)	475 (215)	B	C	

**DX63-3**

					BOOM	9' 6" (2900 mm)	
					ARM	6' 3" (1900 mm)	
					TRACK TYPE	FIXED (RUBBER)	
					SHOE SIZE	15.7" (400 mm)	
					MOUNT	Pin-On	Quick Coupler
BUCKET TYPE	MODEL	CAPACITY 1 ft <sup>3</sup> (m <sup>3</sup> )	WIDTH in. (mm)	WEIGHT lb. (kg)			
Heavy-Duty <sup>2,3</sup>	HD06-012	1.84 (0.052)	12 (305)	316 (143)	A	A	
	HD06-018	3.19 (0.090)	18 (457)	358 (162)	A	A	
	HD06-024	4.60 (0.130)	24 (610)	429 (195)	A	A	
	HD06-030	6.03 (0.171)	30 (762)	478 (217)	A	A	
	HD06-036	7.46 (0.211)	36 (914)	529 (240)	A	A	
Ditching <sup>4</sup>	DC060-036	7.46 (0.211)	36 (914)	310 (141)	B	C	
	DC060-048	10.32 (0.292)	48 (1219)	475 (215)	B	C	

**DX85R-3**

					BOOM	11' 1" (3380 MM)	
					ARM	7' 5" (2250 MM)	
					TRACK TYPE	FIXED (RUBBER)	
					SHOE SIZE	17.7" (450 MM)	
					MOUNT	Pin-On	Quick Coupler
BUCKET TYPE	MODEL	CAPACITY 1 ft <sup>3</sup> (m <sup>3</sup> )	WIDTH in. (mm)	WEIGHT lb. (kg)			
Heavy-duty <sup>2,3</sup>	HD08-012	2.94 (0.083)	12 (305)	335 (152)	A	A	
	HD08-018	5.08 (0.144)	18 (457)	380 (172)	A	A	
	HD08-024	7.37 (0.209)	24 (610)	475 (215)	A	A	
	HD08-030	9.75 (0.276)	30 (762)	538 (244)	A	B	
	HD08-036	12.15 (0.344)	36 (914)	625 (283)	C	C	
Ditching <sup>4</sup>	DC080-048	16.74 (0.474)	48 (1219)	500 (227)	A	A	
	DC080-060	18.36 (0.520)	60 (1524)	595 (270)	B	C	

<sup>1</sup> Capacity based on ISO 7451

<sup>2</sup> Equipped with Wear Shrouds

<sup>3</sup> Equipped with Bolt On Teeth

<sup>4</sup> Equipped with Bolt On Cutting Edge

**Maximum Suitable Material Density**

A 3370 lb./yd<sup>3</sup> (2000 kg/m<sup>3</sup>)

B 2700 lb./yd<sup>3</sup> (1600 kg/m<sup>3</sup>)

C 1850 lb./yd<sup>3</sup> (1100 kg/m<sup>3</sup>)

# Standard/Optional Equipment

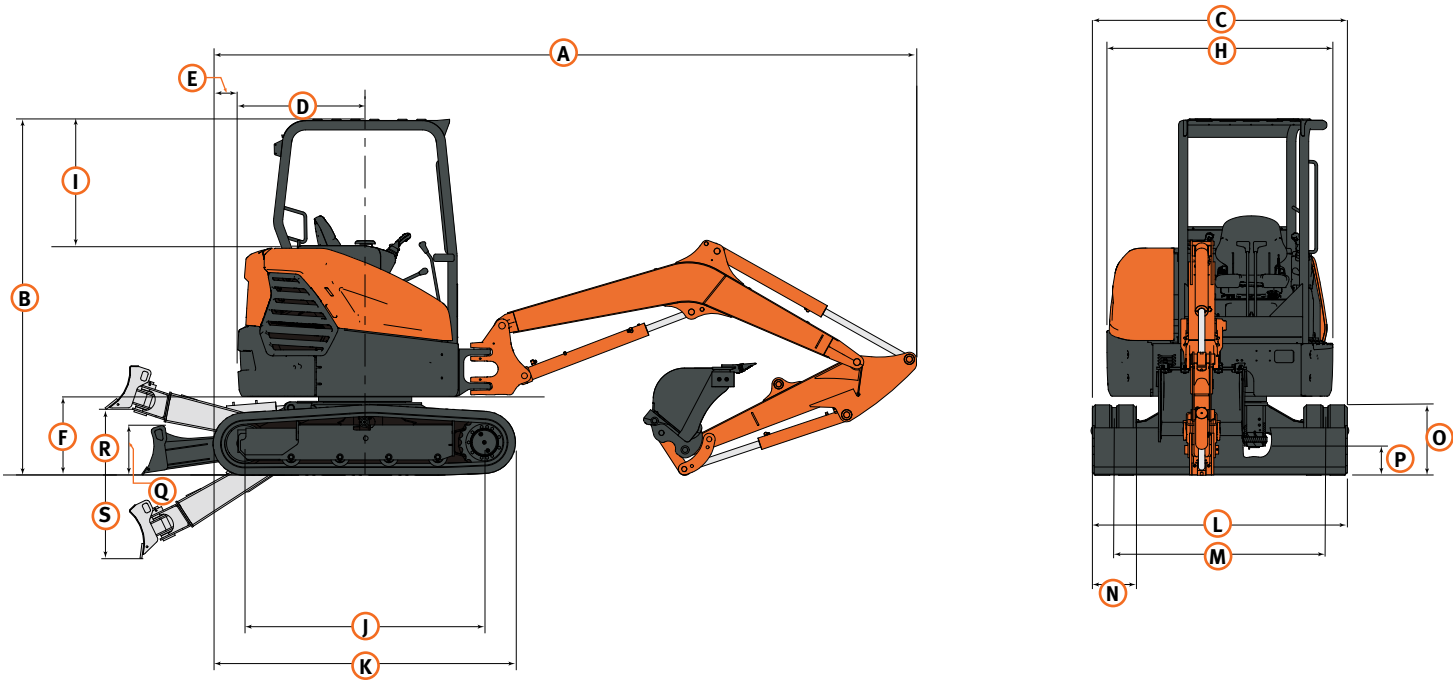
- Standard Equipment
- Optional Equipment
- N/A

	DX55-5	DX42-5	DX60-5	DX62R-3	DX63-3	DX85R-3
<b>ENGINE</b>						
Emissions (EPA) Tier 4-Compliant	T4	T4	T4	T4	T4	T4
Diesel Particulate Filter (DPF)	-	-	-	•	•	•
Direct Fuel Injected	•	•	•	•	•	•
Fuel Filter with Water Separator	•	•	•	•	•	•
Coolant Recovery Tank	•	•	•	•	•	•
Dual Element Dry-Type Air Filter	•	•	•	•	•	•
Electronic Engine Control	•	•	•	•	•	•
Auto Preheat Cold Start Assist	•	•	•	•	•	•
Auto-Idle	•	•	•	•	•	•
Overheat & Low Oil Pressure Engine Protection	•	•	•	•	•	•
<b>HYDRAULIC</b>						
Variable Axial Piston Main Pump	•	•	•	•	•	•
Load Sensing Pump Control	•	•	•	•	•	•
Pilot Operated Control Valves	•	•	•	•	•	•
Pilot Gear Pump (tandem)	•	-	-	-	•	-
Axial Piston Swing Motor	•	•	•	•	•	•
Spring Applied Hydraulic Release Brake	•	•	•	•	•	•
Axial Piston Travel Motor (High/Low, Auto)	•	•	•	•	•	•
Auxiliary Hydraulics, Two-Way	•	•	•	•	•	•
Adjustable Auxiliary Flow	•	•	•	•	•	•
Boom Lock Valve	-	-	-	•	•	•
<b>CABIN</b>						
Steel, All-Weather & Sound Suppressed	•	•	•	•	•	•
ROPS / TOPS	•	•	•	•	•	•
Front Window with Wiper/Washer	•	•	•	•	•	•
Tinted Safety Glass	•	•	•	•	•	•
Skylight	•	•	•	•	•	•
Visor, Front Window and Skylight	-	-	-	•	•	•
Pull Up Type Front Window	•	•	•	•	•	•
Sliding Side Door Windows	-	-	-	•	•	•
Lockable Doors	•	•	•	•	•	•
Seat	•	•	•	•	•	•
- 2" (51 mm) Seat Belt - Adjustable Height & Recline	•	•	•	•	•	•
Adjustable Arm Rests	•	•	•	•	•	•
- 3" (76 mm) Seat Belt	-	-	-	■	■	■
Control Stands	-	-	-	•	•	•
- Height Adjustable - Mounted to Seat Base	-	-	-	•	•	•
Storage for Operator's Manuals	•	•	•	•	•	•
Mirrors	■	■	■	•	•	•
Air Conditioner with Heater	•	•	•	•	•	•
Deluxe Color Instrumentation Panel	•	•	•	•	•	•
AM/FM Stereo & MP3 Port	•	•	•	•	•	•
CD Player	-	-	-	•	•	•
Speakers (2)	•	•	•	•	•	•
Emergency Breakout Tool	-	-	-	•	•	•
Power Socket, 12 V	•	•	•	•	•	•
Interior Light	•	•	•	•	•	•
Guard, FOGS	-	-	-	■	■	■
<b>ELECTRICAL</b>						
Alternator - 12V, 80 Amp	-	-	-	•	•	•
Alternator - 12V, 90 Amp	•	•	•	-	-	-
12V Battery, 900 CCA @ 0° F (-18° C)	-	-	-	•	•	•
12V Battery, 540 CCA @ 0° F (-18° C)	•	•	•	-	-	-
Light: Cabin (1), Boom (1)	•	•	•	-	-	-

	DX55-5	DX42-5	DX60-5	DX62R-3	DX63-3	DX85R-3
Light: Cabin (1), Boom (2)	■	■	■	•	•	•
Rotating Beacon	■	■	■	■	■	■
Hour Meter	•	•	•	•	•	•
Engine Restart Prevention System	•	•	•	•	•	•
Laptop Service Port	•	•	•	•	•	•
Self-Diagnostics System	•	•	•	•	•	•
<b>DISPLAY MONITOR &amp; WARNINGS</b>						
Buzzer	•	•	•	•	•	•
- Engine Oil Pressure	•	•	•	•	•	•
- Coolant Temperature	•	•	•	•	•	•
Instrumentation	•	•	•	•	•	•
- Air Filter Restriction Indicator	•	•	•	•	•	•
- Auto-Idle Indicator	•	•	•	•	•	•
- Auxiliary Flow Mode Indicator	•	•	•	•	•	•
- Clock - Day & Time	•	•	•	•	•	•
- DPF Status Indicator	•	•	•	•	•	•
- Engine Check Warning Light	•	•	•	•	•	•
- Engine Oil Pressure Light with Audible Alarm	•	•	•	•	•	•
- Engine Temperature Gauge with Audible Alarm	•	•	•	•	•	•
- Fuel Gauge with Low Fuel Indicator	•	•	•	•	•	•
- Hour Meter	•	•	•	•	•	•
- Pre-Heat (Cold Start Assist) Indicator	•	•	•	•	•	•
- Two Speed Travel Indicator Light	•	•	•	•	•	•
Travel Alarm	■	■	■	•	•	•
<b>UNDERCARRIAGE</b>						
Track Rollers, Upper (1 Each Side)	•	•	•	•	•	•
Track Rollers, Lower (4 Each Side)	•	-	-	-	-	-
Track Rollers, Lower (5 Each Side)	-	•	•	•	•	•
Rubber Tracks - 300 mm	•	-	-	-	-	-
Rubber Tracks - 350 mm	-	•	-	-	-	-
Rubber Tracks - 400 mm	-	-	•	•	•	-
Rubber Tracks - 450 mm	-	-	-	-	-	•
Shoes, Grouser - 400 mm (39 Each Side)	-	-	-	■	■	-
Shoes, Grouser - 450 mm (39 Each Side)	-	-	-	-	-	■
<b>CONTROLS</b>						
Joystick Controls	•	•	•	•	•	•
- Two Hydraulic Joysticks Control Boom, Arm, Bucket & Slew Functions	•	•	•	•	•	•
- Thumb Buttons Control Auxiliary Hydraulics & Boom Swing	•	•	•	•	•	•
Blade Control Lever	•	•	•	•	•	•
Pattern Control Change Valve (SAE, ISO)	•	•	•	•	•	•
Engine Speed Control Dial	•	•	•	•	•	•
Travel Pedals with Hand Levers	•	•	•	•	•	•
Switches, Console Mounted	•	•	•	•	•	•
- Starter (Key) (DX63-3 & DX85R-3 only)	•	•	•	•	•	•
- Starter (Knob) (DX35-5 -> DX50-5)	•	•	•	•	•	•
- Work Light	•	•	•	•	•	•
- DPF Regeneration (DX63-3 & DX85R-3 only)	•	•	•	•	•	•
- Wiper Switch	•	•	•	•	•	•
- Washer Switch	•	•	•	•	•	•
- Engine Speed Dial	•	•	•	•	•	•
- Audio Control Panel	•	•	•	•	•	•
<b>OTHER</b>						
Centralized Lubrication	•	•	•	•	•	•
- Swing Pinion - Swing Bearing	•	•	•	•	•	•
Centralized Lubrication	-	-	-	•	•	•
- Offset Cylinder	-	-	-	•	•	•
Dozer Blade	•	•	•	•	•	•
Angle Blade	■	■	■	-	-	-
Manuals	•	•	•	•	•	•
- Operation - AEM Safety Manual	•	•	•	•	•	•
Manuals	-	-	•	•	•	•
- Parts	-	-	•	•	•	•
Vandalism Protection	•	•	•	•	•	•
- Lockable Panels - Lockable Fluid Fill Points	•	•	•	•	•	•

# Specifications

## Dimensions





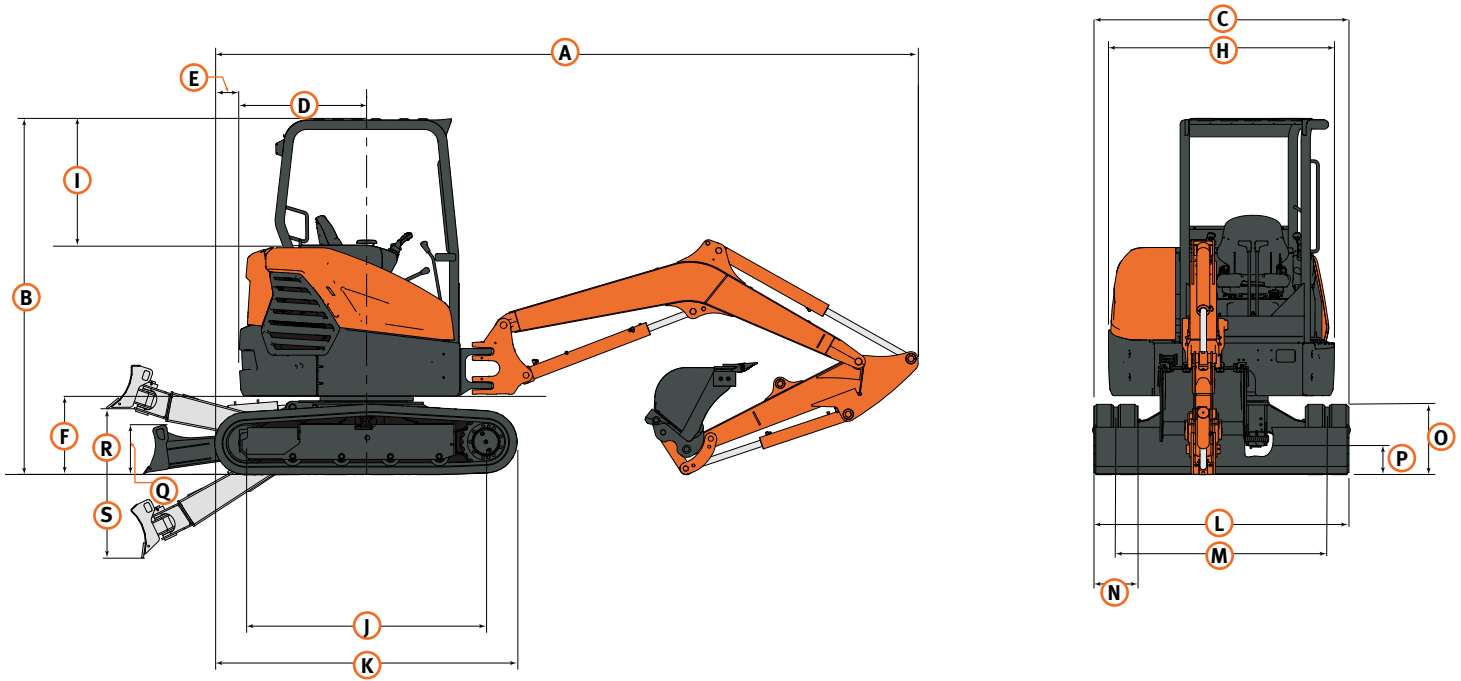
# Dimensions

<b>DX35-5</b>				STANDARD ARM & HVAC CABIN (US20)	LONG ARM & HVAC CABIN (US21)	STANDARD ARM & OPEN CANOPY (US30)	LONG ARM & OPEN CANOPY (US31)
		BOOM TYPE	ft.-in. (mm)	8' (2450)			
ARM TYPE		ft.-in. (mm)	4' 4" (1330)	5' 4" (1630)	4' 4" (1330)	5' 4" (1630)	
BUCKET TYPE (SAE)		ft³ (m³)	3.44 (0.097)				
TRACK TYPE			FIXED (RUBBER)	FIXED (RUBBER)	FIXED (RUBBER)	FIXED (RUBBER)	
Shipping length	A	ft.-in. (mm)	15' 10" (4823)	15' 10" (4832)	15' 10" (4823)	15' 10" (4832)	
Overall height	B	ft.-in. (mm)	8' (2443)	8' (2443)	8' (2443)	8' (2443)	
Shipping width	C	ft.-in. (mm)	5' 10" (1769)	5' 10" (1769)	5' 10" (1769)	5' 10" (1769)	
Tail swing radius	D	ft.-in. (mm)	2' 10" (875)	3' 2" (965)	2' 10" (875)	3' 2" (965)	
Tail swing overhang (rear)	E1	ft.-in. (mm)	--	--	--	--	
Tail swing overhang (side)	E2*	ft.-in. (mm)	--	3.2" (80.5)	--	3.2" (80.5)	
Counterweight clearance	F	ft.-in. (mm)	1' 9" (540)	1' 9" (540)	1' 9" (540)	1' 9" (540)	
Upper structure width	H	ft.-in. (mm)	5' 1" (1551)	5' 1" (1551)	5' 1" (1551)	5' 1" (1551)	
Cabin height above house	I	ft.-in. (mm)	2' 11" (886)	2' 11" (886)	2' 11" (886)	2' 11" (886)	
Tumbler distance	J	ft.-in. (mm)	5' 5" (1647)	5' 5" (1647)	5' 5" (1647)	5' 5" (1647)	
Overall track length	K	ft.-in. (mm)	6' 10" (2074)	6' 10" (2074)	6' 10" (2074)	6' 10" (2074)	
Undercarriage width	L	ft.-in. (mm)	5' 10" (1769)	5' 10" (1769)	5' 10" (1769)	5' 10" (1769)	
Track gauge width	M	ft.-in. (mm)	4' 9" (1450)	4' 9" (1450)	4' 9" (1450)	4' 9" (1450)	
Track width	N	ft.-in. (mm)	11.8" (300)	11.8" (300)	11.8" (300)	11.8" (300)	
Track height	O	ft.-in. (mm)	1' 8" (505)	1' 8" (505)	1' 8" (505)	1' 8" (505)	
Car body clearance	P	ft.-in. (mm)	11.3" (286)	11.3" (286)	11.3" (286)	11.3" (286)	
Blade height	Q	ft.-in. (mm)	1' 1" (324)	1' 1" (324)	1' 1" (324)	1' 1" (324)	
Blade clearance	R	ft.-in. (mm)	1' 3" (382)	1' 3" (382)	1' 3" (382)	1' 3" (382)	
Maximum blade cut, below ground	S	ft.-in. (mm)	1' 6" (456)	1' 6" (456)	1' 6" (456)	1' 6" (456)	

\* not shown  
Less than zero shown as "--"

# Specifications

## Dimensions



### DX42-5

		STANDARD ARM & HVAC CABIN (US20)	LONG ARM & HVAC CABIN (US21)	STANDARD ARM & OPEN CANOPY (US30)	LONG ARM & OPEN CANOPY (US31)
<b>BOOM TYPE</b>	ft.-in. (mm)	8' 8" (2650)			
<b>ARM TYPE</b>	ft.-in. (mm)	4' 7" (1400)	5' 7" (1700)	4' 7" (1400)	5' 7" (1700)
<b>BUCKET TYPE (SAE)</b>	ft <sup>3</sup> (m <sup>3</sup> )	5.14 (0.146)			
<b>TRACK TYPE</b>		FIXED (RUBBER)	FIXED (RUBBER)	FIXED (RUBBER)	FIXED (RUBBER)
Shipping length	A ft.-in. (mm)	16' 8" (5080)	16' 10" (5121)	16' 8" (5080)	16' 10" (5121)
Overall height	B ft.-in. (mm)	8' 3" (2506)	8' 3" (2506)	8' 3" (2506)	8' 3" (2506)
Shipping width	C ft.-in. (mm)	5' 9" (1750)	5' 9" (1750)	5' 9" (1750)	5' 9" (1750)
Tail swing radius	D ft.-in. (mm)	4' 2" (1280)	4' 3" (1297)	4' 2" (1280)	4' 3" (1297)
Tail swing overhang (rear)	E1 ft.-in. (mm)	5.6" (142)	6.3" (159)	5.6" (142)	6.3" (159)
Tail swing overhang (side)	E2' ft.-in. (mm)	1' 5" (430)	1' 6" (447)	1' 5" (430)	1' 6" (447)
Counterweight clearance	F ft.-in. (mm)	2' (614)	2' (614)	2' (614)	2' (614)
Upper structure width	H ft.-in. (mm)	5' 7" (1700)	5' 7" (1700)	5' 7" (1700)	5' 7" (1700)
Cabin height above house	I ft.-in. (mm)	3' 2" (956)	3' 2" (956)	3' 2" (956)	3' 2" (956)
Tumbler distance	J ft.-in. (mm)	5' 11" (1803)	5' 11" (1803)	5' 11" (1803)	5' 11" (1803)
Overall track length	K ft.-in. (mm)	7' 6" (2276)	7' 6" (2276)	7' 6" (2276)	7' 6" (2276)
Undercarriage width	L ft.-in. (mm)	5' 7" (1700)	5' 7" (1700)	5' 7" (1700)	5' 7" (1700)
Track gauge width	M ft.-in. (mm)	4' 5" (1350)	4' 5" (1350)	4' 5" (1350)	4' 5" (1350)
Track width	N ft.-in. (mm)	1' 2" (350)	1' 2" (350)	1' 2" (350)	1' 2" (350)
Track height	O ft.-in. (mm)	1' 9" (525)	1' 9" (525)	1' 9" (525)	1' 9" (525)
Car body clearance	P ft.-in. (mm)	1' 2" (351)	1' 2" (351)	1' 2" (351)	1' 2" (351)
Blade height	Q ft.-in. (mm)	1' 4" (398)	1' 4" (398)	1' 4" (398)	1' 4" (398)
Blade clearance	R ft.-in. (mm)	1' 3" (384)	1' 3" (384)	1' 3" (384)	1' 3" (384)
Maximum blade cut, below ground	S ft.-in. (mm)	1' 5" (421)	1' 5" (421)	1' 5" (421)	1' 5" (421)

\* not shown  
Less than zero shown as "-"

**DX50-5**

			STANDARD ARM & HVAC CABIN (US20)	LONG ARM & HVAC CABIN (US21)	STANDARD ARM & OPEN CANOPY (US30)	LONG ARM & OPEN CANOPY (US31)
<b>BOOM TYPE</b>		ft.-in. (mm)	9' 1" (2770)			
<b>ARM TYPE</b>		ft.-in. (mm)	5' (1530)	6' 4" (1930)	5' (1530)	6' 4" (1930)
<b>BUCKET TYPE (SAE)</b>		ft <sup>3</sup> (m <sup>3</sup> )	5.30 (0.150)			
<b>TRACK TYPE</b>			FIXED (RUBBER)	FIXED (RUBBER)	FIXED (RUBBER)	FIXED (RUBBER)
Shipping Length	A	ft.-in. (mm)	18' 3" (5555)	18' 3" (5563)	18' 3" (5555)	18' 3" (5563)
Overall Height	B	ft.-in. (mm)	8' 4" (2532)	8' 4" (2532)	8' 4" (2532)	8' 4" (2532)
Shipping Width	C	ft.-in. (mm)	6' 5" (1960)	6' 5" (1960)	6' 5" (1960)	6' 5" (1960)
Tail Swing Radius	D	ft.-in. (mm)	3' 3" (997)	3' 6" (1071)	3' 3" (997)	3' 6" (1071)
Tail Swing Overhang (Rear)	E1	ft.-in. (mm)	--	--	--	--
Tail Swing Overhang (Side)	E2*	ft.-in. (mm)	0.7" (17)	3.6" (91)	0.7" (17)	3.6" (91)
Counterweight Clearance	F	ft.-in. (mm)	2' 1" (640)	2' 1" (640)	2' 1" (640)	2' 1" (640)
Upper Structure Width	H	ft.-in. (mm)	5' 7" (1700)	5' 7" (1700)	5' 7" (1700)	5' 7" (1700)
Cabin Height Above House	I	ft.-in. (mm)	3' 2" (957)	3' 2" (957)	3' 2" (957)	3' 2" (957)
Tumbler Distance	J	ft.-in. (mm)	6' 7" (1998)	6' 7" (1998)	6' 7" (1998)	6' 7" (1998)
Overall Track Length	K	ft.-in. (mm)	8' 3" (2523)	8' 3" (2523)	8' 3" (2523)	8' 3" (2523)
Undercarriage Width	L	ft.-in. (mm)	6' 5" (1960)	6' 5" (1960)	6' 5" (1960)	6' 5" (1960)
Track Gauge Width	M	ft.-in. (mm)	5' 1" (1560)	5' 1" (1560)	5' 1" (1560)	5' 1" (1560)
Track Width	N	ft.-in. (mm)	1' 4" (400)	1' 4" (400)	1' 4" (400)	1' 4" (400)
Track Height	O	ft.-in. (mm)	1' 11" (582)	1' 11" (582)	1' 11" (582)	1' 11" (582)
Car Body Clearance	P	ft.-in. (mm)	1' 1" (326)	1' 1" (326)	1' 1" (326)	1' 1" (326)
Blade Height	Q	ft.-in. (mm)	1' 6" (446)	1' 6" (446)	1' 6" (446)	1' 6" (446)
Blade Clearance	R	ft.-in. (mm)	1' 3" (385)	1' 3" (385)	1' 3" (385)	1' 3" (385)
Maximum Blade Cut, Below Ground	S	ft.-in. (mm)	1' 6" (465)	1' 6" (465)	1' 6" (465)	1' 6" (465)

\* not shown  
Less than zero shown as "--"

**DX62R-3**

			STANDARD ARM & HVAC CABIN (US20)
<b>BOOM TYPE</b>		ft.-in. (mm)	9' 6" (2900)
<b>ARM TYPE</b>		ft.-in. (mm)	6' 3" (1900)
<b>BUCKET TYPE (SAE)</b>		ft <sup>3</sup> (m <sup>3</sup> )	6.18 (0.175)
<b>TRACK TYPE</b>			FIXED (RUBBER)
Shipping length	A	Ft.-In. (Mm)	18' 7" (5670)
Overall height	B	Ft.-In. (Mm)	8' 4" (2550)
Shipping width	C	Ft.-In. (Mm)	6' 6" (1980)
Tail swing radius	D	Ft.-In. (Mm)	4' 3" (1115)
Tail swing overhang (rear)	E1	Ft.-In. (Mm)	--
Tail swing overhang (side)	E2*	Ft.-In. (Mm)	4.9" (125)
Counterweight clearance	F	Ft.-In. (Mm)	2' 1" (635)
Upper structure width	H	Ft.-In. (Mm)	6' 4" (1920)
Cabin height above house	I	Ft.-In. (Mm)	3' 1" (930)
Tumbler distance	J	Ft.-In. (Mm)	6' 6" (1990)
Overall track length	K	Ft.-In. (Mm)	8' 2" (2500)
Undercarriage width	L	Ft.-In. (Mm)	6' 6" (1980)
Track gauge width	M	Ft.-In. (Mm)	5' 2" (1580)
Track width	N	Ft.-In. (Mm)	1' 4" (400)
Track height	O	Ft.-In. (Mm)	1' 11" (590)
Car body clearance	P	Ft.-In. (Mm)	2' 1" (635)
Blade height	Q	Ft.-In. (Mm)	1' 4" (410)
Blade clearance	R	Ft.-In. (Mm)	1' 4" (410)
Maximum blade cut, below ground	S	Ft.-In. (Mm)	1' 5" (440)

\* not shown  
Less than zero shown as "--"

# Specifications

## Dimensions

### DX63-3

			STANDARD ARM & HVAC CABIN (US20)
BOOM TYPE		ft.-in. (mm)	9' 6" (2900)
ARM TYPE		ft.-in. (mm)	6' 3" (1900)
BUCKET TYPE (SAE)		ft <sup>3</sup> (m <sup>3</sup> )	6.18 (0.175)
TRACK TYPE			FIXED (RUBBER)
Shipping length	A	Ft.-In. (Mm)	18' 8" (5685)
Overall height	B	Ft.-In. (Mm)	8' 4" (2550)
Shipping width	C	Ft.-In. (Mm)	6' 6" (1980)
Tail swing radius	D	Ft.-In. (Mm)	4' 3" (1285)
Tail swing overhang (rear)	E1	Ft.-In. (Mm)	1.3" (35)
Tail swing overhang (side)	E2*	Ft.-In. (Mm)	11.6" (295)
Counterweight clearance	F	Ft.-In. (Mm)	2' 1" (635)
Upper structure width	H	Ft.-In. (Mm)	6' 4" (1920)
Cabin height above house	I	Ft.-In. (Mm)	3' 1" (930)
Tumbler distance	J	Ft.-In. (Mm)	6' 6" (1990)
Overall track length	K	Ft.-In. (Mm)	8' 2" (2500)
Undercarriage width	L	Ft.-In. (Mm)	6' 6" (1980)
Track gauge width	M	Ft.-In. (Mm)	5' 2" (1580)
Track width	N	Ft.-In. (Mm)	1' 4" (400)
Track height	O	Ft.-In. (Mm)	1' 11" (590)
Car body clearance	P	Ft.-In. (Mm)	2' 1" (635)
Blade height	Q	Ft.-In. (Mm)	1' 4" (410)
Blade clearance	R	Ft.-In. (Mm)	1' 4" (410)
Maximum blade cut, below ground	S	Ft.-In. (Mm)	1' 5" (440)

\* not shown

Less than zero shown as "--"

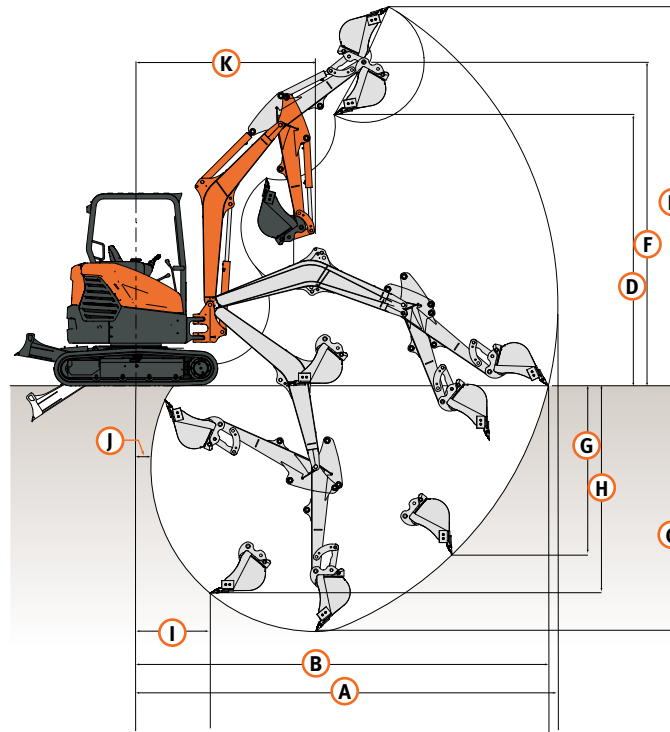
### DX85R-3

			STANDARD ARM & HVAC CABIN (US10)
BOOM TYPE		ft.-in. (mm)	11' 1" (3380)
ARM TYPE		ft.-in. (mm)	7' 5" (2250)
BUCKET TYPE (SAE)		ft <sup>3</sup> (m <sup>3</sup> )	9.89 (0.280)
TRACK TYPE			FIXED (RUBBER)
Shipping length	A	ft.-in. (mm)	20' 7" (6265)
Overall height	B	ft.-in. (mm)	8' 8" (2640)
Shipping width	C	ft.-in. (mm)	7' 7" (2300)
Tail swing radius	D	ft.-in. (mm)	4' 3" (1300)
Tail swing overhang (rear)	E1	ft.-in. (mm)	--
Tail swing overhang (side)	E2*	ft.-in. (mm)	5.9" (150)
Counterweight clearance	F	ft.-in. (mm)	2' 5" (735)
Upper structure width	H	ft.-in. (mm)	7' 5" (2265)
Cabin height above house	I	ft.-in. (mm)	3' (925)
Tumbler distance	J	ft.-in. (mm)	7' 3" (2200)
Overall track length	K	ft.-in. (mm)	9' 3" (2825)
Undercarriage width	L	ft.-in. (mm)	7' 7" (2300)
Track gauge width	M	ft.-in. (mm)	6' 1" (1850)
Track width	N	ft.-in. (mm)	1.6" (450)
Track height	O	ft.-in. (mm)	2' 2" (670)
Car body clearance	P	ft.-in. (mm)	1' 2" (362)
Blade height	Q	ft.-in. (mm)	1' 4" (408)
Blade clearance	R	ft.-in. (mm)	1' 4" (408)
Maximum blade cut, below ground	S	ft.-in. (mm)	1' (304)

\* not shown

Less than zero shown as "--"

# Working Range



## DX35-5

			STANDARD ARM & HVAC CABIN (US20)	LONG ARM & HVAC CABIN (US21)	STANDARD ARM & OPEN CANOPY (US30)	LONG ARM & OPEN CANOPY (US31)
<b>BOOM TYPE</b>	ft.-in. (mm)	8' (2450)				
<b>ARM TYPE</b>	ft.-in. (mm)	4' 4" (1330)	5' 4" (1630)	4' 4" (1330)	5' 4" (1630)	
<b>BUCKET TYPE (SAE)</b>	ft <sup>3</sup> ( m <sup>3</sup> )	3.44 (0.097)				
Max. Digging Reach	A ft.-in. (mm)	17' 7" (5351)	18' 6" (5633)	17' 7" (5351)	18' 6" (5633)	
Max. Digging Reach (Ground)	B ft.-in. (mm)	17' 2" (5230)	18' 1" (5520)	17' 2" (5230)	18' 1" (5520)	
Max. Digging Depth	C ft.-in. (mm)	10' 3" (3117)	11' 3" (3417)	10' 3" (3117)	11' 3" (3417)	
Max. Loading Height	D ft.-in. (mm)	10' 11" (3340)	11' 7" (3521)	10' 11" (3340)	11' 7" (3521)	
Max. Digging Height	E ft.-in. (mm)	15' 9" (4804)	16' 4" (4985)	15' 9" (4804)	16' 4" (4985)	
Max. Bucket Pin Height	F ft.-in. (mm)	13' 6" (4106)	14' 1" (4286)	13' 6" (4106)	14' 1" (4286)	
Max. Vertical Wall Depth	G ft.-in. (mm)	7' (2136)	7' 11" (2414)	7' (2136)	7' 11" (2414)	
Max. Depth To 8' Line	H ft.-in. (mm)	8' 7" (2619)	9' 9" (2975)	8' 7" (2619)	9' 9" (2975)	
Min. Radius 8' Line	I ft.-in. (mm)	3' (926)	2' 11" (895)	3' (926)	2' 11" (895)	
Min. Digging Reach	J ft.-in. (mm)	1' 7" (478)	4.8" (122)	1' 7" (478)	4.8" (122)	
Min. Swing Radius	K ft.-in. (mm)	7' 5" (2267)	7' 7" (2324)	7' 5" (2267)	7' 7" (2324)	
Boom Swing - Left/Right	degrees	75° / 55°	75° / 55°	75° / 55°	75° / 55°	
Digging Force, Bucket (Pcsa)	lbf. (kgf)	6968 (3161)	6968 (3161)	6968 (3161)	6968 (3161)	
Digging Force, Arm	lbf. (kgf)	4859 (2204)	3986 (1808)	4859 (2204)	3986 (1808)	
Counterweight	lb (kg)	992 (450)	1645 (746)	992 (450)	1645 (746)	
Operating Weight	lb. (kg)	8193 (3716)	8871 (4024)	7909 (3587)	8587 (3895)	
Ground Pressure	psi (kgf/cm <sup>2</sup> )	4.7 (.33)	5.2 (.36)	4.7 (.33)	5.2 (.36)	

# Specifications

## Working Range

<b>DX42-5</b>			<b>STANDARD ARM &amp; HVAC CABIN (US20)</b>	<b>LONG ARM &amp; HVAC CABIN (US21)</b>	<b>STANDARD ARM &amp; OPEN CANOPY (US30)</b>	<b>LONG ARM &amp; OPEN CANOPY (US31)</b>
<b>BOOM TYPE</b>		ft.-in. (mm)	8' 8" (2650)			
<b>ARM TYPE</b>		ft.-in. (mm)	4' 7" (1400)	5' 7" (1700)	4' 7" (1400)	5' 7" (1700)
<b>BUCKET TYPE (SAE)</b>		ft <sup>3</sup> ( m <sup>3</sup> )	5.14 (0.146)			
Max. Digging Reach	A	ft.-in. (mm)	17' 8" (5388)	18' 7" (5669)	17' 8" (5388)	18' 7" (5669)
Max. Digging Reach (Ground)	B	ft.-in. (mm)	17' 3" (5246)	18' 3" (5551)	17' 3" (5246)	18' 3" (5551)
Max. Digging Depth	C	ft.-in. (mm)	10' 6" (3205)	11' 6" (3505)	10' 6" (3205)	11' 6" (3505)
Max. Loading Height	D	ft.-in. (mm)	12' 3" (3725)	12' 10" (3907)	12' 3" (3725)	12' 10" (3907)
Max. Digging Height	E	ft.-in. (mm)	17' 1" (5212)	17' 8" (5394)	17' 1" (5212)	17' 8" (5394)
Max. Bucket Pin Height	F	ft.-in. (mm)	14' 8" (4481)	15' 4" (4663)	14' 8" (4481)	15' 4" (4663)
Max. Vertical Wall Depth	G	ft.-in. (mm)	8' 1" (2459)	9' (2741)	8' 1" (2459)	9' (2741)
Max. Depth To 8' Line	H	ft.-in. (mm)	8' 11" (2706)	10' (3060)	8' 11" (2706)	10' (3060)
Min. Radius 8' Line	I	ft.-in. (mm)	2' 10" (858)	2' 9" (829)	2' 10" (858)	2' 9" (829)
Min. Digging Reach	J	ft.-in. (mm)	1' 4" (408)	1.3" (32)	1' 4" (408)	1.3" (32)
Min. Swing Radius	K	ft.-in. (mm)	7' 2" (2194)	7' 5" (2273)	7' 2" (2194)	7' 5" (2273)
Boom Swing - Left/Right		degrees	75° / 50°	75° / 50°	75° / 50°	75° / 50°
Digging Force, Bucket (Pcsa)		lbf. (kgf)	9183 (4165)	9183 (4165)	9183 (4165)	9183 (4165)
Digging Force, Arm		lbf. (kgf)	5672 (2573)	4953 (2247)	5672 (2573)	4953 (2247)
Counterweight		lb (kg)	1169 (530)	1621 (735)	1169 (530)	1621 (735)
Operating Weight		lb. (kg)	9555 (4334)	10031 (4549)	9246 (4193)	9722 (4410)
Ground Pressure		psi (kgf/cm2)	4.3 (.3)	4.6 (.3)	4.3 (.3)	4.6 (.3)

<b>DX50-5</b>			<b>STANDARD ARM &amp; HVAC CABIN (US20)</b>	<b>LONG ARM &amp; HVAC CABIN (US21)</b>	<b>STANDARD ARM &amp; OPEN CANOPY (US30)</b>	<b>LONG ARM &amp; OPEN CANOPY (US31)</b>
<b>BOOM TYPE</b>		ft.-in. (mm)	9' 1" (2770)			
<b>ARM TYPE</b>		ft.-in. (mm)	5' (1530)	6' 4" (1930)	5' (1530)	6' 4" (1930)
<b>BUCKET TYPE (SAE)</b>		ft <sup>3</sup> ( m <sup>3</sup> )	5.30 (0.150)			
Max. Digging Reach	A	ft.-in. (mm)	19' 11" (6062)	21' 2" (6441)	19' 11" (6062)	21' 2" (6441)
Max. Digging Reach (Ground)	B	ft.-in. (mm)	19' 6" (5939)	20' 9" (6333)	19' 6" (5939)	20' 9" (6333)
Max. Digging Depth	C	ft.-in. (mm)	11' 7" (3524)	12' 10" (3923)	11' 7" (3524)	12' 10" (3923)
Max. Loading Height	D	ft.-in. (mm)	12' 9" (3877)	13' 7" (4132)	12' 9" (3877)	13' 7" (4132)
Max. Digging Height	E	ft.-in. (mm)	18' 4" (5595)	19' 2" (5850)	18' 4" (5595)	19' 2" (5850)
Max. Bucket Pin Height	F	ft.-in. (mm)	15' 7" (4747)	16' 5" (5002)	15' 7" (4747)	16' 5" (5002)
Max. Vertical Wall Depth	G	ft.-in. (mm)	9' 3" (2815)	10' 6" (3199)	9' 3" (2815)	10' 6" (3199)
Max. Depth To 8' Line	H	ft.-in. (mm)	10' 1" (3082)	11' 7" (3539)	10' 1" (3082)	11' 7" (3539)
Min. Radius 8' Line	I	ft.-in. (mm)	3' 8" (1105)	2' 9" (850)	3' 8" (1105)	2' 9" (850)
Min. Digging Reach	J	ft.-in. (mm)	1' 8" (519)	1.8" (46)	1' 8" (519)	1.8" (46)
Min. Swing Radius	K	ft.-in. (mm)	8' 4" (2541)	8' 8" (2639)	8' 4" (2541)	8' 8" (2639)
Boom Swing - Left/Right		Degrees	75° / 50°	75° / 50°	75° / 50°	75° / 50°
Digging Force, Bucket (Pcsa)		lbf. (kgf)	8977 (4072)	8977 (4072)	8977 (4072)	8977 (4072)
Digging Force, Arm		lbf. (kgf)	6744 (3059)	5751 (2609)	6744 (3059)	5751 (2609)
Counterweight		lb (kg)	1621 (735)	2084 (945)	1621 (735)	2084 (945)
Operating Weight		lb. (kg)	10,986 (4983)	11,504 (5218)	10,677 (4843)	11,195 (5078)
Ground Pressure		psi (kgf/cm2)	4.0 (.28)	4.1 (.29)	4.0 (.28)	4.1 (.29)

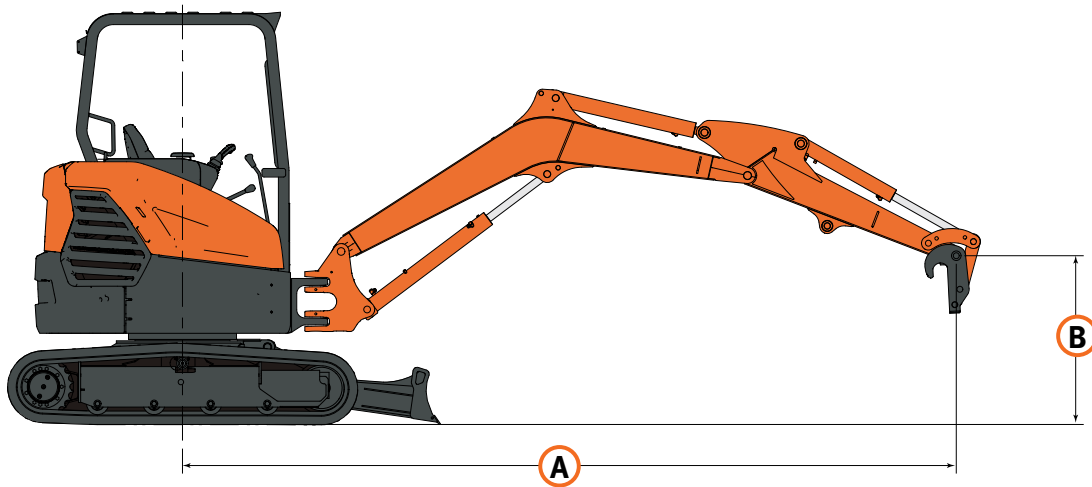
<b>DX62R-3</b>		<b>STANDARD ARM (US20)</b>	
<b>BOOM TYPE</b>	ft.-in. (mm)	<b>9' 6" (2900)</b>	
<b>ARM TYPE</b>	ft.-in. (mm)	<b>6' 3" STD (1900)</b>	
<b>BUCKET TYPE (SAE)</b>	ft <sup>3</sup> ( m <sup>3</sup> )	<b>6.18 (0.175)</b>	
Max. Digging Reach	A ft.-in. (mm)	21' 4" (6525)	
Max. Digging Reach (Ground)	B ft.-in. (mm)	21' (6400)	
Max. Digging Depth	C ft.-in. (mm)	13' 6" (4115)	
Max. Loading Height	D ft.-in. (mm)	14' (4260)	
Max. Digging Height	E ft.-in. (mm)	19' 8" (6005)	
Max. Bucket Pin Height	F ft.-in. (mm)	16' 11" (5145)	
Max. Vertical Wall Depth	G ft.-in. (mm)	11' 3" (3435)	
Max. Depth To 8' Line	H ft.-in. (mm)	12' 4" (3765)	
Min. Radius 8' Line	I ft.-in. (mm)	3' 7" (1080)	
Min. Digging Reach	J ft.-in. (mm)	-1" (-20)	
Min. Swing Radius	K ft.-in. (mm)	8' 7" (2645)	
Boom Swing - Left/Right	Degrees	70° / 50°	
Digging Force, Bucket (Pcsa)	lbf. (kgf)	9731 (4414)	
Digging Force, Arm	lbf. (kgf)	5765 (2615)	
Counterweight	lb (kg)	2059 (934)	
Operating Weight	lb. (kg)	13,779 (6250)	
Ground Pressure	psi (kgf/cm2)	5.1 (0.36)	

<b>DX63-3</b>		<b>STANDARD ARM (US20)</b>	
<b>BOOM TYPE</b>	ft.-in. (mm)	<b>9' 6" (2900)</b>	
<b>ARM TYPE</b>	ft.-in. (mm)	<b>6' 3" STD (1900)</b>	
<b>BUCKET TYPE (SAE)</b>	ft <sup>3</sup> ( m <sup>3</sup> )	<b>6.18 (0.175)</b>	
Max. Digging Reach	A ft.-in. (mm)	20' 10" (6355)	
Max. Digging Reach (Ground)	B ft.-in. (mm)	20' 5" (6230)	
Max. Digging Depth	C ft.-in. (mm)	13' 6" (4115)	
Max. Loading Height	D ft.-in. (mm)	14' (4260)	
Max. Digging Height	E ft.-in. (mm)	19' 8" (6005)	
Max. Bucket Pin Height	F ft.-in. (mm)	16' 11" (5145)	
Max. Vertical Wall Depth	G ft.-in. (mm)	11' 3" (3435)	
Max. Depth To 8' Line	H ft.-in. (mm)	12' 4" (3765)	
Min. Radius 8' Line	I ft.-in. (mm)	2' 12" (910)	
Min. Digging Reach	J ft.-in. (mm)	-7.5" (-190)	
Min. Swing Radius	K ft.-in. (mm)	8' 1" (2475)	
Boom Swing - Left/Right	Degrees	70° / 50°	
Digging Force, Bucket (Pcsa)	lbf. (kgf)	9731 (4414)	
Digging Force, Arm	lbf. (kgf)	5765 (2615)	
Counterweight	lb (kg)	2059 (934)	
Operating Weight	lb. (kg)	13,779 (6250)	
Ground Pressure	psi (kgf/cm2)	5.1 (0.36)	

<b>DX85R-3</b>		<b>STANDARD ARM (US20)</b>	
<b>BOOM TYPE</b>	ft.-in. (mm)	<b>11' 1" (3380)</b>	
<b>ARM TYPE</b>	ft.-in. (mm)	<b>7' 5" STD (2250)</b>	
<b>BUCKET TYPE (SAE)</b>	ft <sup>3</sup> ( m <sup>3</sup> )	<b>9.89 (0.28)</b>	
Max. Digging Reach	A ft.-in. (mm)	24' 5" (7430)	
Max. Digging Reach (Ground)	B ft.-in. (mm)	23' 11" (7295)	
Max. Digging Depth	C ft.-in. (mm)	15' 6" (4725)	
Max. Loading Height	D ft.-in. (mm)	16' 5" (4995)	
Max. Digging Height	E ft.-in. (mm)	22' 11" (6980)	
Max. Bucket Pin Height	F ft.-in. (mm)	19' 8" (6005)	
Max. Vertical Wall Depth	G ft.-in. (mm)	12' 4" (3755)	
Max. Depth To 8' Line	H ft.-in. (mm)	14' 6" (4420)	
Min. Radius 8' Line	I ft.-in. (mm)	4' 10" (1480)	
Min. Digging Reach	J ft.-in. (mm)	-2.2" (-55)	
Min. Swing Radius	K ft.-in. (mm)	8' 8" (2635)	
Boom Swing - Left/Right	Degrees	70° / 50°	
Digging Force, Bucket (Pcsa)	lbf. (kgf)	14,509 (6581)	
Digging Force, Arm	lbf. (kgf)	8069 (3660)	
Counterweight	lb (kg)	2915 (1322)	
Operating Weight	lb. (kg)	18,960 (8600)	
Ground Pressure	psi (kgf/cm2)	5.5 (0.39)	

# Specifications

## Lifting Capacity












- Load point is the end of the arm.
- Capacities marked with an asterisk (\*) are limited by hydraulic capacities.
- Lift capacities shown do not exceed 75% of minimum tipping loads or 87% of hydraulic capacities.
- The least stable position is over the side.
- The total mass of machine includes the mass of the boom, arm, counterweight, all operating fluids and a 75 kg operator.
- Lift capacities are in compliance with ISO 10567.
- Backfill blade in up position unless otherwise noted.

### DX35-5 US20/US30

Boom: 8' (2450 mm) | Arm: 4' 4" (1330 mm) | Counterweight: 992 lb. (450 kg.) | Bucket: None | Unit: lb (kg)

 Load Radius Over Front  
 Load Radius Over Side

B ft. (m)	A ft. (m)	9' 10" (3.0 m)			13' 1" (4.0 m)			MAX REACH			A (ft)
		 *									
9' 10" (3.0 m)					* 1630 (* 740)	1100 (500)	1070 (490)	* 1630 (* 740)	1100 (500)	1070 (490)	13' 2" (4005)
6' 7" (2.0 m)		* 1990 (* 900)	1700 (770)	1640 (750)	* 1700 (* 770)	1090 (490)	1060 (480)	* 1670 (* 760)	920 (420)	890 (400)	14' 7" (4453)
3' 3" (1.0 m)		* 2780 (* 1260)	1590 (720)	1540 (700)	* 1960 (* 890)	1050 (480)	1020 (460)	* 1760 (* 800)	860 (390)	840 (380)	15' 1" (4586)
Ground Level		* 3230 (* 1470)	1530 (700)	1480 (670)	* 2150 (* 980)	1020 (460)	990 (450)	* 1880 (* 850)	890 (400)	860 (390)	14' 7" (4439)
-3' 3" (-1.0 m)		* 3140 (* 1420)	1530 (690)	1480 (670)				* 2020 (* 920)	1040 (470)	1010 (460)	13' (3972)

\* Backfill blade in down position



**DX35-5** US21/US31

Boom: 8' (2450 mm) | Arm: 5' 4" (1630 mm) | Counterweight: 1645 lb. (746 kg.) | Bucket: None | Unit: lb (kg)



Bft. (m)	Aft. (m)	9' 10" (3.0 m)			13' 1" (4.0 m)			MAX REACH			A (ft)	
13' 1" (4.0 m)									* 1460 (660)	* 1460 (660)	* 1460 (660)	11' 6" (3506)
9' 10" (3.0 m)					* 1380 (* 630)	1380 (630)	* 1380 (* 630)	* 1460 (660)	1180 (540)	1150 (520)	1150 (520)	14' 3" (4336)
6' 7" (2.0 m)		* 1690 (* 770)	1690 (* 770)	1690 (* 770)	* 1530 (* 690)	1530 (690)	1290 (580)	* 1440 (650)	1020 (460)	990 (450)	990 (450)	15' 7" (4746)
3' 3" (1.0 m)		* 2530 (* 1150)	1950 (880)	850 (850)	* 1840 (* 830)	1840 (830)	1250 (570)	* 1530 (690)	960 (440)	940 (430)	940 (430)	16' (4868)
Ground Level		* 3130 (* 1420)	1870 (850)	820 (820)	* 2090 (* 950)	2090 (950)	1210 (550)	* 1710 (780)	990 (450)	960 (440)	960 (440)	15' 6" (4732)
-3' 3" (-1.0 m)		* 3210 (* 1460)	1850 (840)	810 (810)	* 2110 (* 960)	2110 (960)	1200 (550)	* 1850 (840)	1120 (510)	1090 (500)	1090 (500)	14' 1" (4306)

\* Backfill blade in down position

**DX42-5** US20/US30

Boom: 8' 8" (2650 mm) | Arm: 4' 7" (1400 mm) | Counterweight: 1169 lb. (530 kg.) | Bucket: Standard | Unit: lb (kg)



Bft. (m)	Aft. (m)	6' 7" (2.0 m)			9' 10" (3.0 m)			13' 1" (4.0 M)			MAX REACH			A (ft)
13' 1" (4.0 m)										* 2140 (970)	* 2140 (970)	1590 (720)	11' (3353)	
9' 10" (3.0 m)					2090 (950)	2090 (950)	2090 (950)	2190 (990)	1600 (720)	1090 (500)	* 2240 (1020)	1470 (670)	1000 (450)	13' 7" (4133)
6' 7" (2.0 m)					2960 (1340)	2960 (1340)	1760 (800)	2450 (1110)	1490 (680)	1010 (460)	* 2360 (1070)	1200 (540)	810 (370)	14' 10" (4513)
3' 3" (1.0 m)					4070 (1850)	2260 (1030)	1560 (710)	2860 (1300)	1450 (660)	980 (440)	* 2520 (1140)	1120 (510)	750 (340)	15' 2" (4611)
Ground Level					4600 (2090)	2170 (990)	1460 (660)	3120 (1410)	1390 (630)	920 (420)	* 2710 (1230)	1180 (530)	770 (350)	14' 8" (4471)
-3' 3" (-1.0 m)		* 7320 (* 3220)	4460 (2020)	2820 (1280)	4400 (2000)	2210 (1000)	1470 (670)				* 2920 (1320)	1420 (640)	960 (430)	13' 2" (4016)

\* Backfill blade in down position

**DX42-5** US21/US31

Boom: 8' 8" (2650 mm) | Arm: 5' 7" (1700 mm) | Counterweight: 1621 lb. (735 kg.) | Bucket: Standard | Unit: lb (kg)



Bft. (m)	Aft. (m)	6' 7" (2.0 m)			9' 10" (3.0 m)			13' 1" (4.0 M)			MAX REACH			A (ft)
13' 1" (4.0 m)											1820 (820)	1820 (820)	1820 (820)	12' 4" (3750)
9' 10" (3.0 m)								1820 (820)	1820 (820)	1290 (590)	2000 (910)	1440 (660)	1010 (460)	14' 7" (4435)
6' 7" (2.0 m)					2480 (1120)	2480 (1120)	2480 (1120)	2160 (980)	1700 (770)	1290 (590)	2120 (960)	1210 (550)	840 (380)	15' 9" (4805)
3' 3" (1.0 m)					3750 (1700)	2570 (1170)	1760 (800)	2630 (1190)	1630 (740)	1120 (510)	2280 (1040)	1130 (510)	780 (350)	16' 1" (4905)
Ground Level		* 7150 (3250)	4590 (2080)	3150 (1430)	4440 (2010)	2480 (1120)	1710 (780)	2990 (1360)	1540 (700)	1090 (500)	2470 (1120)	1160 (530)	790 (360)	15' 7" (4755)
-3' 3" (-1.0 m)		* 7780 (3530)	4820 (2180)	3120 (1420)	4580 (2080)	2460 (1120)	1690 (770)	2980 (1350)	1530 (690)	1050 (480)	2650 (1230)	1340 (910)	940 (430)	14' 2" (4315)

\* Backfill blade in down position

# Specifications

## Lifting Capacity

**DX50-5** US20/US30

Boom: 9' 1" (2770 mm) | Arm: 5' (1530 mm) | Counterweight: 1621 lb. (735 kg.) | Bucket: Standard | Unit: lb (kg)

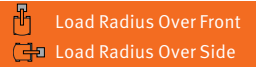


A ft. (m) B ft. (m)	6' 7" (2.0 m)			9' 10" (3.0 m)			13' 1" (4.0 M)			MAX REACH			A (ft)
13' 1" (4.0 m)							* 2130 (* 970)	* 2130 (* 970)	1240 (560)	* 2230 (1010)	1590 (720)	1150 (520)	13' 4" (4075)
9' 10" (3.0 m)							* 2160 (* 980)	1650 (750)	1240 (560)	* 2350 (1070)	1130 (510)	810 (370)	15' 11" (4850)
6' 7" (2.0 m)				* 3530 (* 1600)	2610 (1180)	1950 (890)	* 2750 (* 1250)	1560 (710)	1190 (540)	* 2460 (1120)	940 (430)	650 (300)	17' 3" (5250)
3' 3" (1.0 m)				* 5410 (* 2450)	2270 (1030)	1750 (790)	* 3440 (* 1560)	1450 (660)	170 (490)	* 2610 (1180)	880 (400)	620 (280)	17' 6" (5325)
Ground Level				* 6030 (* 2740)	2230 (1010)	1610 (730)	* 3880 (* 1760)	1400 (640)	960 (450)	* 2780 (1260)	910 (410)	640 (290)	17' (5175)
-3' 3" (-1.0 m)	* 8870 (* 4020)	4380 (1990)	3040 (1380)	* 5850 (* 2650)	2080 (940)	1620 (730)	* 3790 (* 1720)	1380 (630)	1000 (450)	* 2960 (1340)	1080 (490)	760 (340)	15' 5" (4705)

\* Backfill blade in down position

**DX50-5** US21/US31

Boom: 8' 8" (2650 mm) | Arm: 6' 4" (1930 mm) | Counterweight: 2084 lb. (945 kg.) | Bucket: Standard | Unit: lb (kg)



A ft. (m) B ft. (m)	6' 7" (2.0 m)			9' 10" (3.0 m)			13' 1" (4.0 M)			MAX REACH			A (ft)
13' 1" (4.0 m)				* 1460 (* 660)	* 1460 (* 660)	* 1510 (* 680)				* 1220 (* 550)	1040 (470)	1060 (480)	15' 1" (4600)
9' 10" (3.0 m)				* 1670 (* 760)	* 1670 (* 760)	1530 (690)	* 1610 (* 730)	1210 (550)	950 (430)	* 1270 (* 580)	1100 (500)	820 (370)	16' 11" (5150)
6' 7" (2.0 m)	* 2650 (* 1200)	* 2650 (* 1200)	2400 (1090)	* 2200 (* 1000)	* 2200 (* 1000)	1460 (660)	* 2150 (* 970)	1120 (510)	930 (420)	* 1670 (* 760)	940 (420)	670 (300)	18' (5480)
3' 3" (1.0 m)	* 3740 (* 2150)	2600 (1180)	2050 (930)	* 3100 (* 1410)	1610 (730)	1330 (600)	* 2490 (* 1130)	1060 (480)	850 (390)	* 2050 (* 930)	870 (390)	610 (280)	18' 3" (5570)
Ground Level	* 5930 (* 2690)	2480 (1120)	2000 (910)	* 3720 (* 1690)	1540 (700)	1230 (560)	* 2800 (* 1270)	1050 (480)	810 (370)	* 2480 (* 1130)	920 (420)	640 (290)	17' 9" (5400)
-3' 3" (-1.0 m)	* 6120 (* 2780)	2510 (1140)	1930 (880)	* 3900 (* 1770)	1530 (700)	1260 (570)	* 2730 (* 1240)	1050 (480)	810 (370)	* 2680 (* 1220)	1060 (480)	750 (340)	16' 7" (5050)

\* Backfill blade in down position

**DX62R-3** US10

Boom: 9' 6" (2900 mm) | Arm: 6' 3" (1900 mm) | Counterweight: 2058 lb. (933 kg.) | Bucket: None | Unit: lb (kg)



A ft. (m) B ft. (m)	3' 3" (1.0 m)			6' 7" (2.0 m)			9' 10" (3.0 m)			13' 1" (4.0 M)			16' 5" (5.0 m)			MAX REACH			A (ft)
16' 5" (5.0 m)															* 2780 (* 1260)	* 2780 (* 1260)	2580 (1170)	12' (3.65)	
13' 1" (4.0 m)									* 2510 (* 1140)	* 2510 (* 1140)	2270 (1030)				* 2270 (* 1030)	2050 (930)	1720 (780)	15' 5" (4.69)	
9' 10" (3.0 m)									* 2690 (* 1220)	2690 (1220)	2250 (1020)	* 2780 (* 1260)	1830 (830)	1540 (700)	* 2090 (* 950)	1650 (750)	1390 (630)	17' 3" (5.27)	
6' 7" 3' 3"							* 4140 (* 1880)	4100 (1860)	3330 (1510)	* 3310 (* 1500)	2580 (1170)	2140 (970)	* 2950 (* 1340)	1790 (810)	1500 (680)	* 2090 (* 950)	1500 (680)	1230 (560)	18' 3" (5.56)
3' 3" (1.0 m)							* 6080 (* 2760)	3770 (1710)	3040 (1380)	* 4080 (* 1850)	2430 (1100)	2010 (910)	* 3260 (* 1480)	1740 (790)	1430 (650)	* 2200 (* 1000)	1430 (650)	1190 (540)	18' 6" (5.63)
Ground Level							* 7080 (* 3210)	3570 (1620)	2870 (1300)	* 4610 (* 2090)	2340 (1060)	1920 (870)	* 3480 (* 1580)	1680 (760)	1390 (630)	* 2450 (* 1110)	1480 (670)	1210 (550)	18' (5.49)
-3' 3" (-1.0 m)	* 4760 (* 2160)	* 4760 (* 2160)	* 4760 (* 2160)	* 6170 (* 2800)	* 5450 (* 2470)	5400 (2450)	* 7010 (* 3180)	3530 (1600)	2820 (1280)	* 4670 (* 2120)	2290 (1040)	1870 (850)	* 3330 (* 1510)	1680 (760)	1390 (630)	* 2950 (* 1340)	1630 (740)	1340 (610)	16' 9" 5100
-6' 7" (-2.0 m)	* 7470 (* 3390)	* 7470 (* 3390)	* 7470 (* 3390)	* 10270 (* 4660)	7450 (3380)	5510 (2500)	* 6040 (* 2740)	3570 (1620)	2840 (1290)	* 3990 (* 1810)	2310 (1050)	1900 (860)				* 3260 (* 1480)	2050 (930)	1680 (760)	14' 5" 4390
-9' 10" (-3.0 m)					* 5450 (* 2470)	* 5450 (* 2470)	* 3110 (* 1410)	* 3110 (* 1410)	3020 (1370)							* 2930 (* 1330)	* 2930 (* 1330)	* 2930 (* 1330)	10' 3050

\* Backfill blade in down position

**DX63-3** US10

Boom: 9' 6" (2900 mm) | Arm: 6' 3" (1900 mm) | Counterweight: 2059 lb. (934 kg.) | Bucket: Standard | Unit: lb (kg)



A ft. (m)	3' 3" (1.0 m)			6' 7" (2.0 m)			9' 10" (3.0 m)			13' 1" (4.0 M)			16' 5" (5.0 m)			MAX REACH			A (ft)	
16' 5" (5.0 M)																	* 2780 (* 1260)	* 2820 (* 1280)	* 2820 (* 1280)	11' 5" (3480)
13' 1" (4.0 m)										* 2510 (* 1170)	* 2580 (* 1170)	2580 (1170)					* 2270 (* 1030)	* 2270 (* 1030)	2090 (950)	14' 10" (4520)
9' 10" (3.0 m)										* 2690 (* 1230)	* 2710 (* 1230)	2560 (1160)	* 2780 (* 1220)	2070 (940)	1760 (800)	* 2090 (* 950)	2010 (910)	1700 (770)	16' 9" (5100)	
6' 7" (2.0 m)							* 4150 (* 1790)	* 3950 (* 1790)	3790 (1720)	* 3310 (* 1470)	2910 (1320)	2450 (1110)	* 2950 (* 1330)	2050 (930)	1740 (790)	* 2090 (* 950)	1810 (820)	1520 (690)	14' 5" (4390)	
3' 3" (1.0 m)							* 6090 (* 2520)	4300 (1950)	3530 (1600)	* 4080 (* 1760)	2780 (1260)	2340 (1060)	* 3260 (* 1440)	1980 (900)	1680 (760)	* 2210 (* 1000)	1740 (790)	1480 (670)	17' 11" (5460)	
Ground Level				* 3950 (* 1790)	* 3950 (* 1790)	* 3950 (* 1790)	* 7080 (* 2940)	4120 (1870)	3350 (1520)	* 4610 (* 1980)	2690 (1220)	2250 (1020)	* 3480 (* 1520)	1940 (880)	1650 (750)	* 2450 (* 1110)	1790 (810)	1500 (680)	17' 5" (5320)	
-3' 3" (-1.0 m)	* 4760 (* 2180)	* 4810 (* 2180)	* 4810 (* 2180)	* 6170 (* 3080)	* 6790 (* 3080)	6280 (2850)	* 7010 (* 2940)	4060 (1840)	3310 (1500)	* 4670 (* 2000)	2650 (1200)	2210 (1000)				* 2950 (* 1340)	1980 (900)	1680 (760)	16' 2" (4930)	
-6' 7" (-2.0 m)	* 7470 (* 3500)	* 7720 (* 3500)	* 7720 (* 3500)	* 10270 (* 4170)	8490 (3850)	6390 (2900)	* 6040 (* 2550)	4100 (1860)	3330 (1510)	* 3990 (* 1680)	2670 (1210)	2230 (1010)				* 3260 (* 1480)	2490 (1130)	2090 (950)	13' 10" (4220)	
-9' 10" (-3.0 m)				* 5450 (* 2260)	* 4980 (* 2260)	* 4980 (* 2260)										* 2930 (* 1330)	* 2930 (* 1330)	* 2930 (* 1330)	9' 5" (2880)	

\* Backfill blade in down position

**DX85A-3** US10

Boom: 11' 1" (3380 mm) | Arm: 7' 5" (2250 mm) | Counterweight: 2915 lb. (1322 kg.) | Bucket: None | Unit: lb (kg)



A ft. (m)	6' 7" (2.0 m)			9' 10" (3.0 m)			13' 1" (4.0 m)			16' 5" (5.0 M)			19' 8" (6.0 m)			MAX REACH			A (ft)	
19' 8" (6.0 M)																	* 4030 (* 1830)	* 4030 (* 1830)	* 4030 (* 1830)	12' 6" (3810)
16' 5" (5.0 m)										* 3330 (* 1510)	* 3330 (* 1510)	2820 (1280)					* 3260 (* 1480)	* 3260 (* 1480)	2800 (1270)	16' 6" (5020)
13' 1" (4.0 m)										* 3460 (* 1570)	* 3460 (* 1570)	2840 (1290)					* 3000 (* 1360)	2710 (1230)	2210 (1000)	18' 10" (5730)
9' 10" (3.0 m)							* 3970 (* 1800)	* 3970 (* 1800)	3970 (1800)	* 3730 (* 1690)	3420 (1550)	2780 (1260)	* 3620 (* 1640)	2490 (1130)	2030 (920)	* 2910 (* 1320)	2380 (1080)	1920 (870)	20' 3" (6170)	
6' 7" (2.0 m)				* 7010 (* 3180)	* 7010 (* 3180)	5890 (2670)	* 5070 (* 2300)	4700 (2130)	3770 (1710)	* 4210 (* 1910)	3290 (1490)	2670 (1210)	* 3770 (* 1710)	2450 (1110)	1960 (890)	* 2950 (* 1340)	2210 (1000)	1760 (800)	20' 11" (6380)	
3' 3" (1.0 m)				* 9570 (* 4340)	6880 (3120)	5290 (2400)	* 6150 (* 2790)	4410 (2000)	3510 (1590)	* 4740 (* 2150)	3150 (1430)	2510 (1140)	* 3970 (* 1800)	2380 (1080)	1900 (860)	* 3130 (* 1420)	2140 (970)	1720 (780)	21' (6410)	
Ground Level				* 10,490 (* 4760)	6570 (2980)	5000 (2270)	* 6830 (* 3100)	4210 (1910)	3310 (1500)	* 5090 (* 2310)	3040 (1380)	2430 (1100)	* 4060 (* 1840)	2320 (1050)	1850 (840)	* 3440 (* 1560)	2180 (990)	1740 (790)	20' 6" (6260)	
-3' 3" (-1.0 m)	* 7360 (* 3340)	* 7360 (* 3340)	* 7360 (* 3340)	* 10,190 (* 4620)	6480 (2940)	4940 (2240)	* 6880 (* 3120)	4120 (1870)	3220 (1460)	* 5090 (* 2310)	2980 (1350)	2360 (1070)				* 3880 (* 1760)	2360 (1070)	1900 (860)	19' 4" (5900)	
-6' 7" (-2.0 m)	* 11,350 (* 5150)	* 11,350 (* 5150)	10,160 (4610)	* 8970 (* 4070)	6530 (2960)	4980 (2260)	* 6240 (* 2830)	4120 (1870)	3240 (1470)	* 4430 (* 2010)	3060 (1390)	2380 (1080)				* 3900 (* 1770)	2780 (1260)	2230 (1010)	17' 4" (5280)	
-9' 10" (-3.0 m)	* 10,190 (* 4620)	* 10,190 (* 4620)	* 10,190 (* 4620)	* 6530 (* 2960)	6530 (2960)	5140 (2330)	* 4370 (* 1980)	4260 (1930)	3350 (1520)							* 3700 (* 1680)	* 3700 (* 1680)	3090 (1400)	14' (4270)	

\* Backfill blade in down position

877-745-7814  
**DoosanEquipment.com/CE**

Doosan® and the Doosan logo are registered trademarks of Doosan Corp. in the United States and various other countries around the world.  
©2019 Doosan Infracore North America, LLC. All rights reserved.

**DOOSAN** 